

FOR TECHNICAL SUPPORT CONTACT:

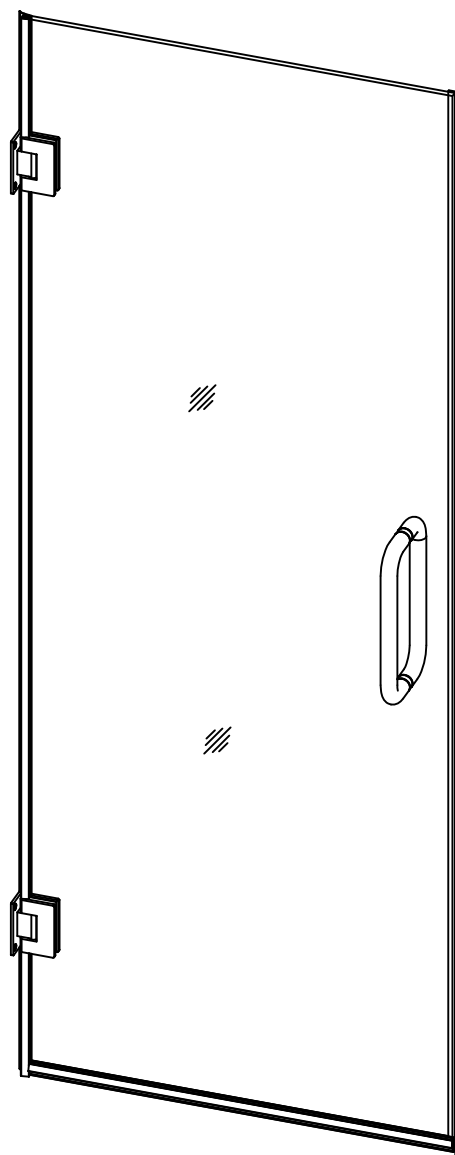
972-424-6900

support@astonglobalinc.com

www.astonbath.com/support



ASSEMBLY INSTRUCTIONS AND OWNER'S MANUAL



KINKADE XL FRAMELESS HINGED SHOWER DOOR

Model Number:

SDR997EZ-SS-**80, SDR997FRUW-SS-**80, SDR997EZ-MB-**80, SDR997FRUW-MB-**80
SDR997EZ-CH-**80, SDR997FRUW-CH-**80, SDR997EZ-NBR-**80, SDR997FRUW-NBR-**80
SDR997EZ-BG-**80, SDR997FRUW-BG-**80, SDR997EZ-ORB-**80, SDR997FRUW-OBR-**80

** indicates shower door size

For more information about Aston Shower Doors, Enclosures & Tub Doors, please visit astonbath.com

11/21 REV B



READ THESE WARNINGS BEFORE PROCEEDING

- **IMPORTANT** - Inspect all glass panels, parts, and hardware for damage prior to installing. Do not proceed if damage is detected.
- **IMPORTANT** - Glass is very HEAVY. It is recommended that this door be installed by professionals with a minimum of two adults who are experienced in the process.
- **IMPORTANT** - Glass is manufactured TEMPERED for safety, which causes it to shatter into small but sharp pieces, rather than large dagger like shards that could cause greater damage.
- **IMPORTANT** - The weakest point on tempered glass is the corners. Keep the plastic corner protectors on until the glass is in place. Even the slightest bump could cause the glass to shatter.
- **IMPORTANT** - DO NOT install the handle until the door is fully mounted. Lifting the door by the handle will cause the door to shatter.
- **IMPORTANT** - ALL EDGE SEALS MUST BE FULLY INSTALLED properly before usage. Warranty will be voided otherwise.
- **IMPORTANT** - On Sliding Door models, the door stop bumpers must be installed securely and adjusted to the prescribed distance from the wall. Warranty will be voided otherwise.
- **IMPORTANT** - All hardware must be installed properly as per instruction. If the hardware is loose, the door's heavy glass will sag placing it's panel corners in jeopardy. Alternatively, hardware that is overly tightened could put the door into stress.
- **IMPORTANT** - Once installed, treating the door by slamming it shut or throwing it open quickly could cause glass to shatter. Supervision should be provided for young children and the elderly.

Before You Start

Thank you and congratulations on your purchase of a new Shower Door from Aston. We hope it will provide you and your home with years of satisfying functionality, usage and beauty.



Please read this manual carefully as it contains information and instructions about how to safely and properly install this unit. If you do not follow these certain conditions for assembly, installation, and maintenance, your warranty may be affected.

1. Inspect boxes for shipping damage. If the product has been damaged, has parts missing, or has a finish defect, please contact our customer support department within five business days of the delivery date.
2. NOTE: You should consult with your local building codes with any questions regarding installation compliance standards. Plumbing and building codes may vary by location.
3. Before installing, ensure that all installation surfaces are level, and have the strength to support the heavy weight of this shower door assembly. This shower door should only be installed to your existing wall studs, or with pre-installed two-by-six wood reinforcements behind finished walls.
4. This Shower Door assembly is very heavy and requires professional installation.

Aston Shower Doors feature:

- Thick Tempered Safety Glass
- High quality hardware
- STARCAST by Enduro Shield glass protection (On Certain Models Only)

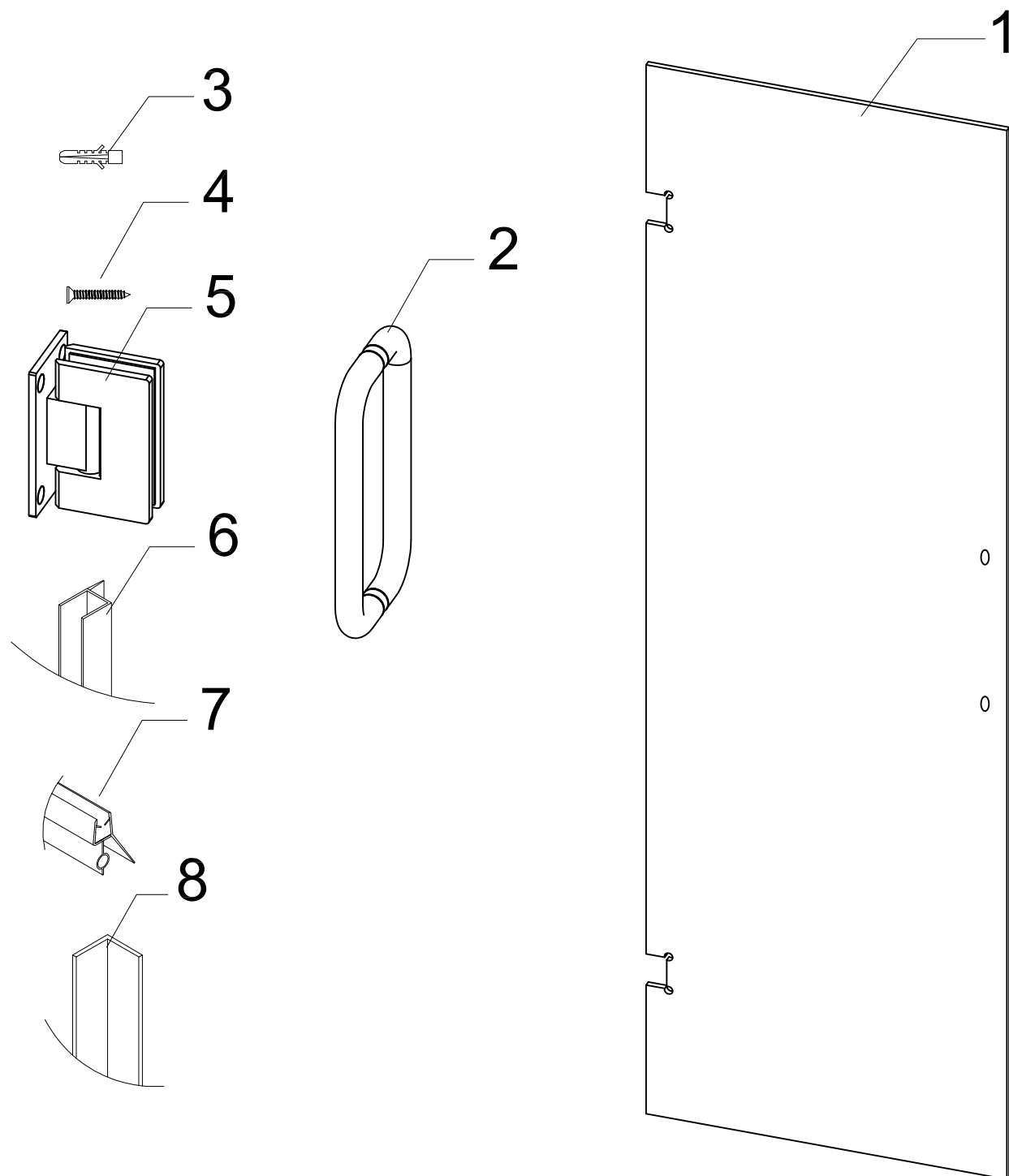
Certifications:

All Aston shower doors are tested extensively by third parties to meet the following US, Canadian and International Standards:

- ANSI Z97.1-2015 CLASS A
- CPSC 16 CFR 1201 II
- CAN/CGSB 12.1-2017

REMEMBER TO REGISTER your new Aston Shower Door today: astonbath.com/register to ensure proper service and activate warranties.

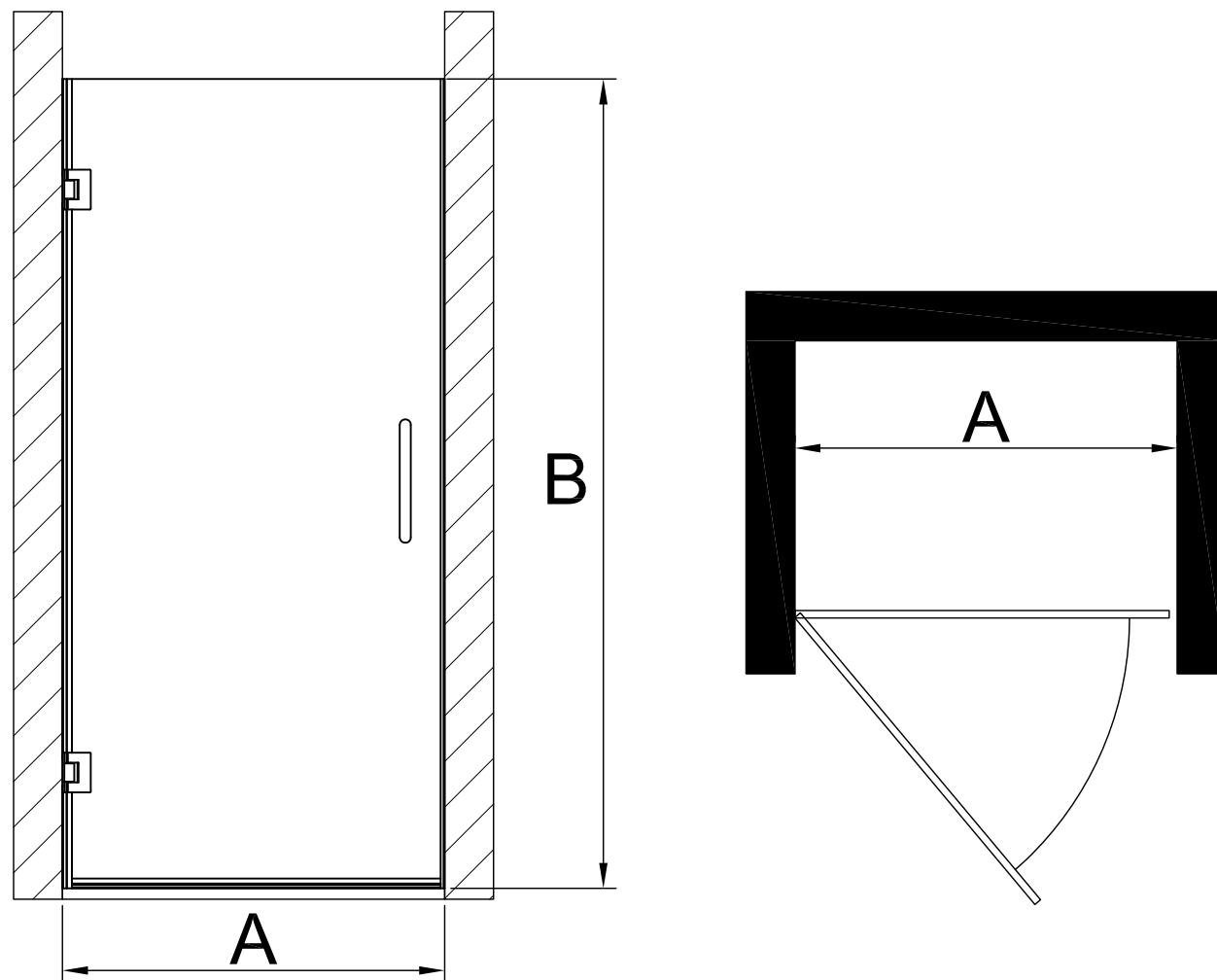
Detailed Diagram of Shower Door Components



#	Description	Qty.	Part No.
01	Glass Door	1	GLSD10*
02	Handle	1	1210
03	Wall Anchor	8	1615
04	M5 X 60 Screw	8	1605
05	Hinge	2	1100
06	Side Strip Seal (cut to 3 sections)	1	1712
07	Bottom Anti-water Strip Seal	1	1750
08	L-Shaped Strip Seal	1	1762

Note: All part numbers marked with (*) are different depending on the width of shower opening, and if the glass is treated with Enduro Shield glass protection or frosted.

Product Dimension



Note: ## indicates hardware finish: CH/SS/MB/BG/ORB/NBR

Model #	Glass Door (01)	Dimension "A" Width	Dimension "B" Height
SDR997EZ-##-2280	21 ⁷ / ₃₂ " X 79 ¹ / ₂ "	21 ³ / ₄ " to 22 ¹ / ₄ "	80"
SDR997FRUW-##-2280			
SDR997EZ-##-22580	21 ³ / ₄ " X 79 ¹ / ₂ "	22 ¹ / ₄ " to 22 ³ / ₄ "	80"
SDR997FRUW-##-22580			
SDR997EZ-##-2380	22 ⁷ / ₃₂ " X 79 ¹ / ₂ "	22 ³ / ₄ " to 23 ¹ / ₄ "	80"
SDR997FRUW-##-2380			
SDR997EZ-##-23580	22 ³ / ₄ " X 79 ¹ / ₂ "	23 ¹ / ₄ " to 23 ³ / ₄ "	80"
SDR997FRUW-##-23580			
SDR997EZ-##-2480	23 ⁷ / ₃₂ " X 79 ¹ / ₂ "	23 ³ / ₄ " to 24 ¹ / ₄ "	80"
SDR997FRUW-##-2480			
SDR997EZ-##-24580	23 ³ / ₄ " X 79 ¹ / ₂ "	24 ¹ / ₄ " to 24 ³ / ₄ "	80"
SDR997FRUW-##-24580			
SDR997EZ-##-2580	24 ⁷ / ₃₂ " X 79 ¹ / ₂ "	24 ³ / ₄ " to 25 ¹ / ₄ "	80"
SDR997FRUW-##-2580			
SDR997EZ-##-25580	24 ³ / ₄ " X 79 ¹ / ₂ "	25 ¹ / ₄ " to 25 ³ / ₄ "	80"
SDR997FRUW-##-25580			
SDR997EZ-##-2680	25 ⁷ / ₃₂ " X 79 ¹ / ₂ "	25 ³ / ₄ " to 26 ¹ / ₄ "	80"
SDR997FRUW-##-2680			
SDR997EZ-##-26580	25 ³ / ₄ " X 79 ¹ / ₂ "	26 ¹ / ₄ " to 26 ³ / ₄ "	80"
SDR997FRUW-##-26580			
SDR997EZ-##-2780	26 ⁷ / ₃₂ " X 79 ¹ / ₂ "	26 ³ / ₄ " to 27 ¹ / ₄ "	80"
SDR997FRUW-##-2780			
SDR997EZ-##-27580	26 ³ / ₄ " X 79 ¹ / ₂ "	27 ¹ / ₄ " to 27 ³ / ₄ "	80"
SDR997FRUW-##-27580			

Note: ## indicates hardware finish: CH/SS/MB/BG/ORB/NBR

Model #	Glass Door (01)	Dimension"A" Width	Dimension"B" Height
SDR997EZ-##-2880	27 ⁷ / ₃₂ " X 79 ¹ / ₂ "	27 ³ / ₄ " to 28 ¹ / ₄ "	80"
SDR997FRUW-##-2880			
SDR997EZ-##-28580	27 ³ / ₄ " X 79 ¹ / ₂ "	28 ¹ / ₄ " to 28 ³ / ₄ "	80"
SDR997FRUW-##-28580			
SDR997EZ-##-2980	28 ⁷ / ₃₂ " X 79 ¹ / ₂ "	28 ³ / ₄ " to 29 ¹ / ₄ "	80"
SDR997FRUW-##-2980			
SDR997EZ-##-29580	28 ³ / ₄ " X 79 ¹ / ₂ "	29 ¹ / ₄ " to 29 ³ / ₄ "	80"
SDR997FRUW-##-29580			
SDR997EZ-##-3080	29 ⁷ / ₃₂ " X 79 ¹ / ₂ "	29 ³ / ₄ " to 30 ¹ / ₄ "	80"
SDR997FRUW -##-3080			
SDR997EZ-##-30580	29 ³ / ₄ " X 79 ¹ / ₂ "	30 ¹ / ₄ " to 30 ³ / ₄ "	80"
SDR997FRUW-##-30580			
SDR997EZ-##-3180	30 ⁷ / ₃₂ " X 79 ¹ / ₂ "	30 ³ / ₄ " to 31 ¹ / ₄ "	80"
SDR997FRUW-##-3180			
SDR997EZ-##-31580	30 ³ / ₄ " X 79 ¹ / ₂ "	31 ¹ / ₄ " to 31 ³ / ₄ "	80"
SDR997FRUW-##-31580			
SDR997EZ-##-3280	31 ⁷ / ₃₂ " X 79 ¹ / ₂ "	31 ³ / ₄ " to 32 ¹ / ₄ "	80"
SDR997FRUW-##-3280			
SDR997EZ-##-32580	31 ³ / ₄ " X 79 ¹ / ₂ "	32 ¹ / ₄ " to 32 ³ / ₄ "	80"
SDR997FRUW-##-32580			
SDR997EZ-##-3380	32 ⁷ / ₃₂ " X 79 ¹ / ₂ "	32 ³ / ₄ " to 33 ¹ / ₄ "	80"
SDR997FRUW-##-3380			
SDR997EZ-##-33580	32 ³ / ₄ " X 79 ¹ / ₂ "	33 ¹ / ₄ " to 33 ³ / ₄ "	80"
SDR997FRUW-##-33580			
SDR997EZ-##-3480	33 ⁷ / ₃₂ " X 79 ¹ / ₂ "	33 ³ / ₄ " to 34 ¹ / ₄ "	80"
SDR997FRUW-##-3480			
SDR997EZ-##-34580	33 ³ / ₄ " X 79 ¹ / ₂ "	34 ¹ / ₄ " to 34 ³ / ₄ "	80"
SDR997FRUW-##-34580			
SDR997EZ-##-3580	34 ⁷ / ₃₂ " X 79 ¹ / ₂ "	34 ³ / ₄ " to 35 ¹ / ₄ "	80"
SDR997FRUW-##-3580			
SDR997EZ-##-35580	34 ³ / ₄ " X 79 ¹ / ₂ "	35 ¹ / ₄ " to 35 ³ / ₄ "	80"
SDR997FRUW-##-35580			
SDR997EZ-##-3680	35 ⁷ / ₃₂ " X 79 ¹ / ₂ "	35 ³ / ₄ " to 36 ¹ / ₄ "	80"
SDR997FRUW-##-3680			
SDR997EZ-##-36580	35 ³ / ₄ " X 79 ¹ / ₂ "	36 ¹ / ₄ " to 36 ³ / ₄ "	80"
SDR997FRUW-##-36580			
SDR997EZ-##-3780	36 ⁷ / ₃₂ " X 79 ¹ / ₂ "	36 ³ / ₄ " to 37 ¹ / ₄ "	80"
SDR997FRUW-##-3780			
SDR997EZ-##-37580	36 ³ / ₄ " X 79 ¹ / ₂ "	37 ¹ / ₄ " to 37 ³ / ₄ "	80"
SDR997FRUW-##-37580			
SDR997EZ-##-3880	37 ⁷ / ₃₂ " X 79 ¹ / ₂ "	37 ³ / ₄ " to 38 ¹ / ₄ "	80"
SDR997FRUW-##-3880			
SDR997EZ-##-38580	37 ³ / ₄ " X 79 ¹ / ₂ "	38 ¹ / ₄ " to 38 ³ / ₄ "	80"
SDR997FRUW-##-38580			

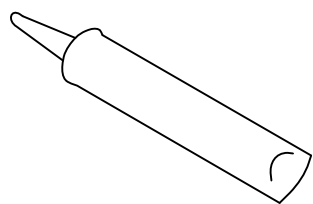
Assembly and Installation Guide

Please read the following assembly and installation instructions and guidelines in this section.

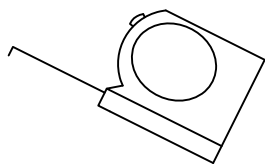
Failure to follow the recommended instructions and installation techniques may lead to possible damage to the unit, the surrounding area, or can cause serious personal injury. This can affect warranty claims as well.

ATTENTION: This unit requires assembly. A minimum of two people are required for assembly and installation, as several of the components are large and unstable until fully assembled.

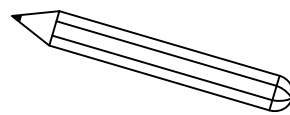
You will need the following tools before proceeding:



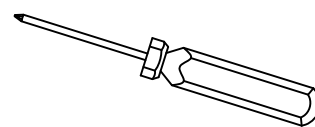
Caulk



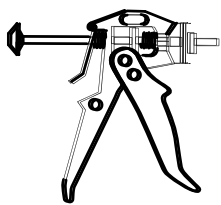
Tape Measure



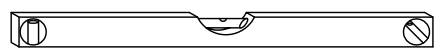
Pencil



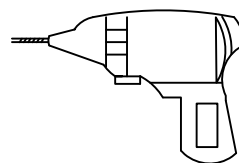
Phillips Screwdriver



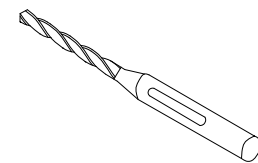
Caulk Gun



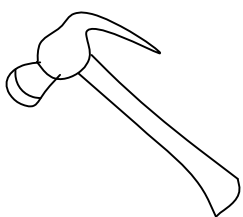
Level



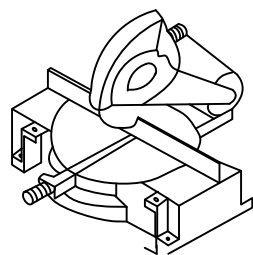
Electric Drill



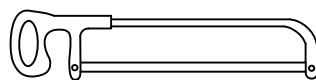
Drill Bit ($\text{Ø}1/8''$ & $5/16''$)



Hammer



Miter Saw or Hacksaw



Razor Knife

Locate the accessory box and remove the individual parts and components, as well as the screw and hardware packages. Lay them out in sequential order to aid in the completion of the installation.

NOTE: DO NOT throw any packaging away until door is assembled. Door seals are sometime confused as packaging. Please locate them immediately and set them aside for later use.

Shower Door Assembly and Installation



WARNING: Could cause SERIOUS INJURY. This glass is TEMPERED which causes it to shatter into small but sharp pieces, rather than large dagger like plates that could cause greater damage.



WARNING: Could cause SERIOUS INJURY. The weakest point on tempered glass is the corners. Keep the plastic corner protectors on until the glass is in place. Even the slightest bump could cause the glass to shatter.



WARNING: Could cause SERIOUS INJURY. Glass is very HEAVY. It is recommended that this door be installed by professionals with a minimum of two installers.

On shower door models treated with Aston's STARCAST/Enduro Shield Glass technology. The Glass door should be installed so that the Enduro Shield label is to the outside of shower (coated glass surface to inside of shower.)

This Assembly Instructions and Owner's Manual is illustrating the shower door being installed as a Right Hand Opening glass door. This unit can also be installed as Left Hand Opening unit by flipping the glass door as seen in the drawing, and following the instructional steps in this manual.

1. Attach the Hinges (05) to Glass Door (01). The smooth flat surface of Hinge (05) should be installed on outside of Glass Door (01). See Figure 1 for details.

NOTE:

Never set your glass down directly onto a tile or concrete floor.

Always use a piece of foam, cardboard or wood and leave the corner pads on the glass until it becomes necessary to remove them to protect the bottom edge and the corners of the glass from breaking.

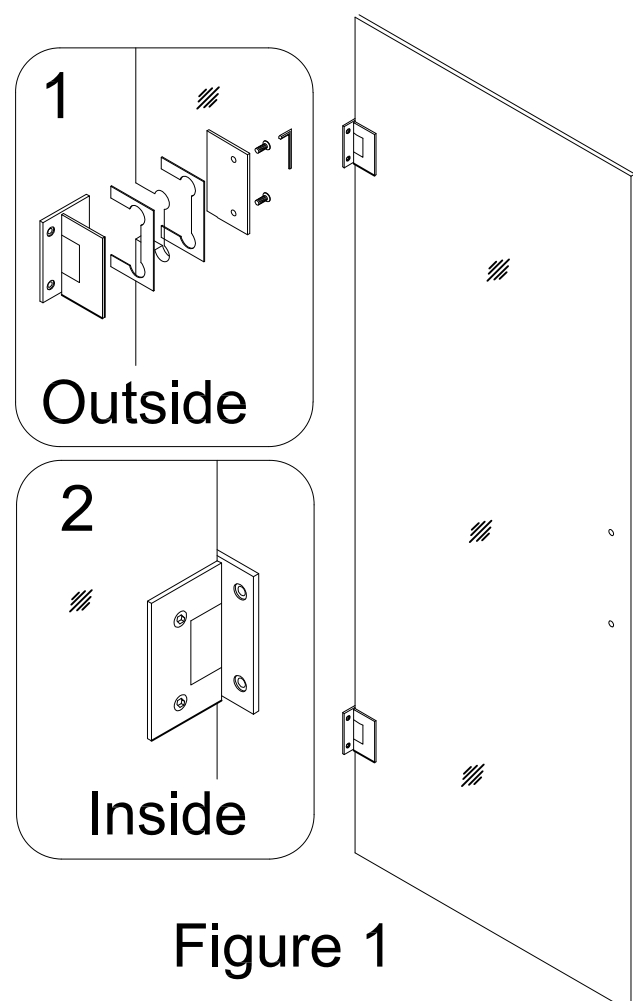
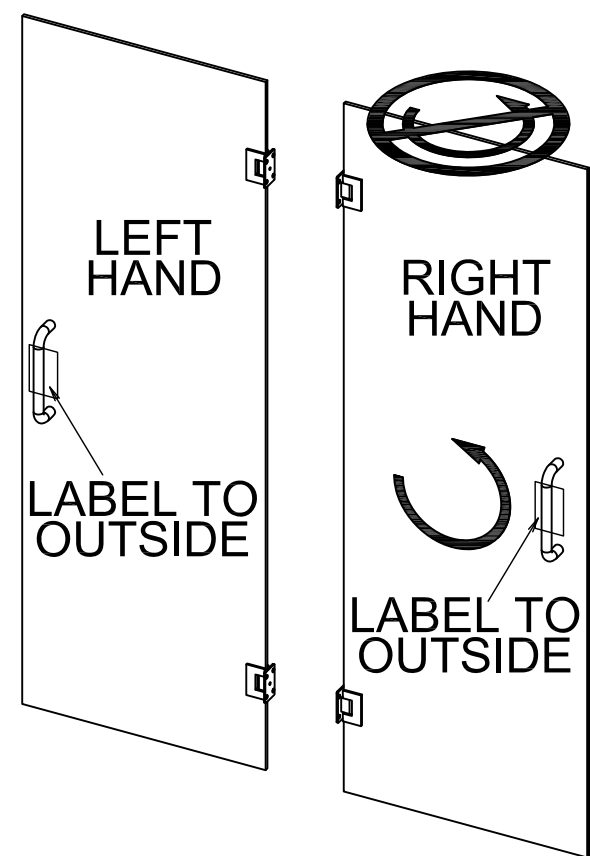


Figure 1



WARNING: Could cause SERIOUS INJURY. Glass is very HEAVY. It is recommended that this door be installed by professionals with a minimum of two installers.

2. Place a board ($\frac{1}{2}$ " thick) on the threshold or the shower base. Remove the corner pads from the Glass Door (01). Place the Glass Door (01) on $\frac{1}{2}$ " thick board. Carefully position the hinged side of shower door against the wall and check with level for plumb.

NOTE:

Please check with a level and be sure that the door is absolutely plumb.

See Figure 2 for details.

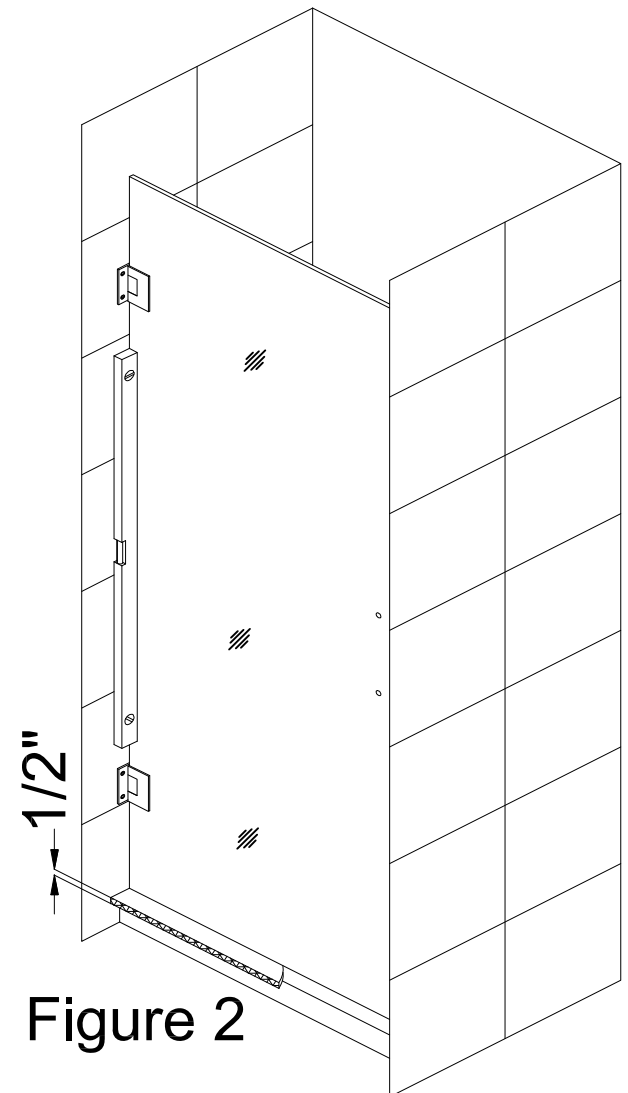


Figure 2

3. Hold the Glass Door (01) in place and mark the drill holes for both Hinges (05) on the wall.

Set the Glass Door (01) aside and drill the holes in the wall using $\text{Ø } \frac{5}{16}$ " drill bit.

Install the Wall Anchors (03) into the drilled holes.

Position the Glass Door (01) back on the board and attach both Hinges (05) to the wall using M5X60 Screws (04).

Note: Smooth flat surface of Hinge (05) should be installed on outside of Glass Door (01).

See Figure 3 for details.

ATTENTION:

This door is extremely heavy and the hinges on this door must be attached to the studs or to preinstalled 2X6 wood reinforcement behind the wall.

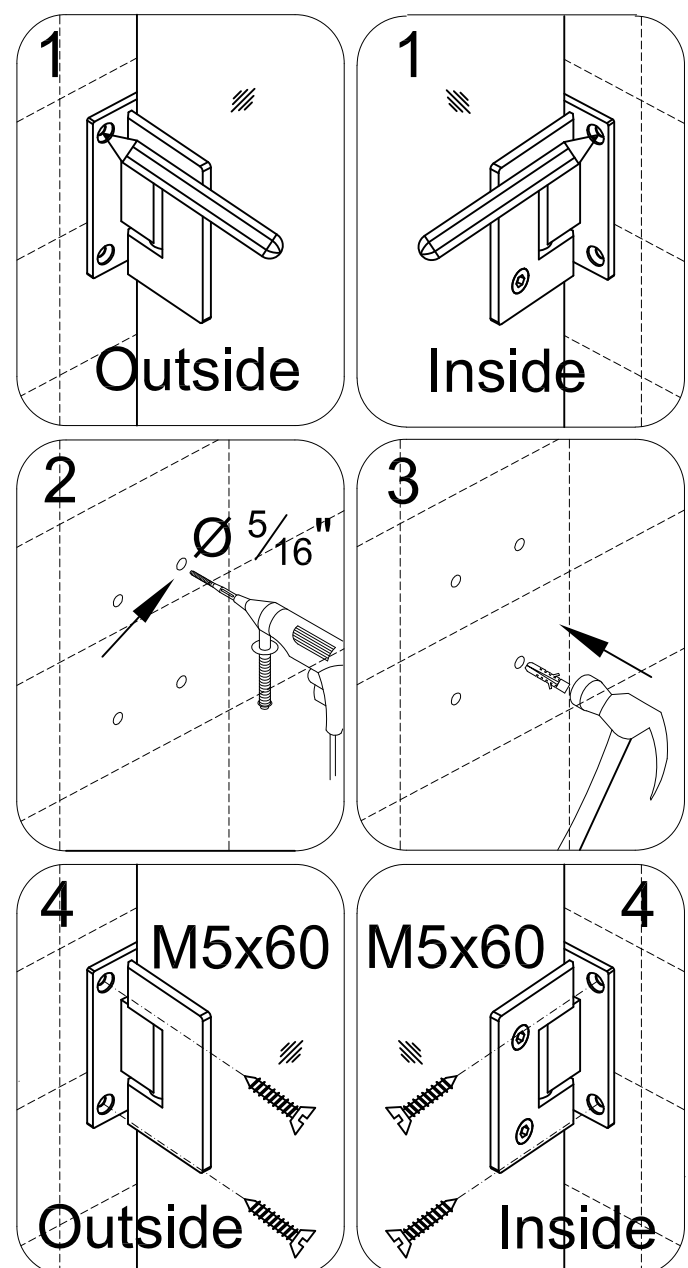


Figure 3



WARNING: Could cause **SERIOUS INJURY.** DO NOT install the handle until the door is fully mounted. Lifting the door by the handle will cause the door to shatter.

4. Install the Handle (02) to the Glass Door (01) using the hardware provided.

See Figure 4.

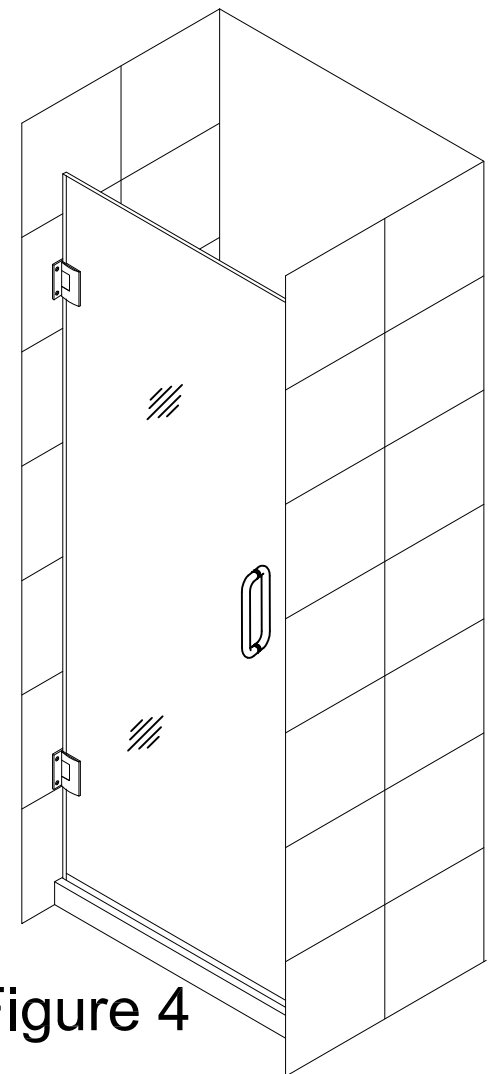
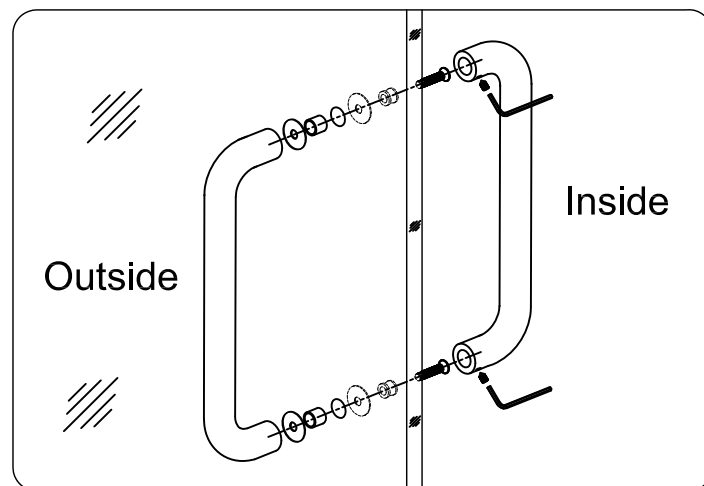


Figure 4

5. Locate the Side Strip Seal (06), measure and cut lengths at 8-1/16", 56-1/4" and 8-1/2".

- Install the 8-1/16" cut Side Strip Seal to the top edge of glass door to the edge of the top hinge.
- Install the 56-1/4" cut Side Strip Seal to the edge of glass door between the upper hinge and lower hinge.
- Install the 8-1/2" cut Side Strip Seal to the edge of glass door below the lower hinge. After installation the Side Strip Seal should be 1/16" above shower base threshold.

See Figure 5 for details.

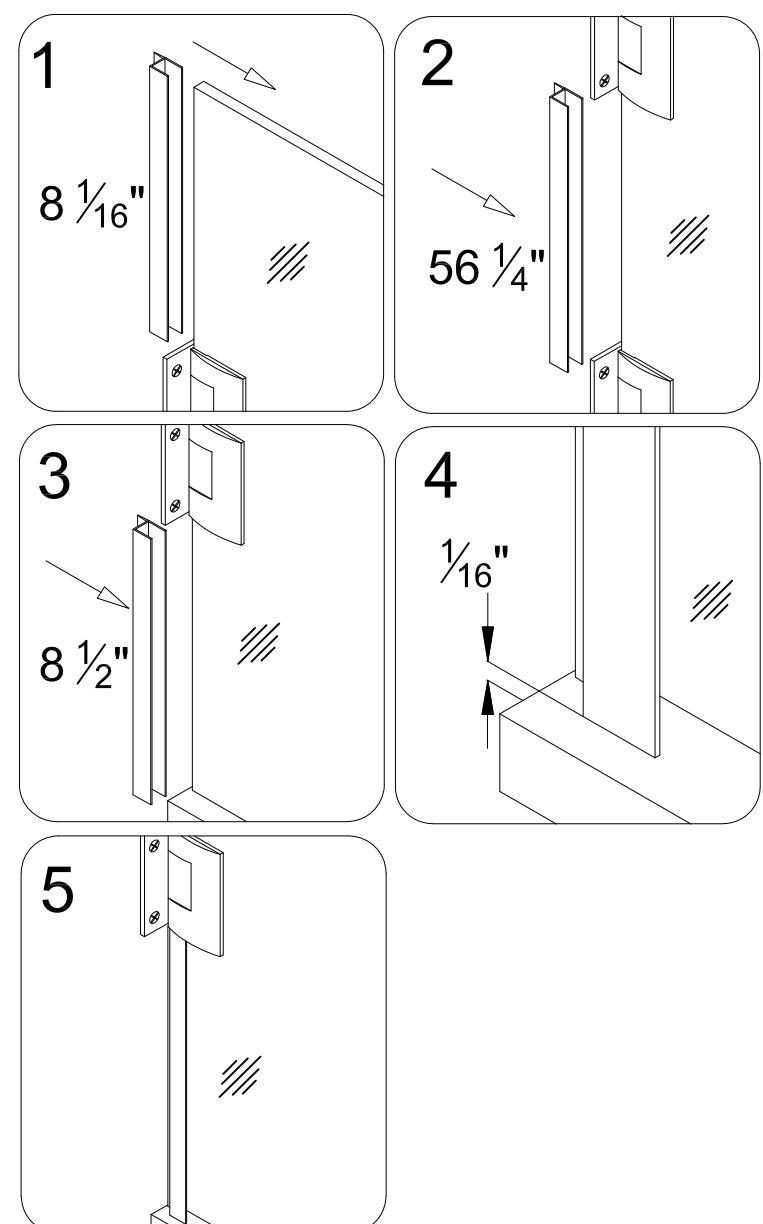


Figure 5

6. Measure the bottom of the Glass Door (01) from the Side Strip Seal (06) to the vertical edge of Glass Door (01). (Handle side of Glass Door)

Cut the Bottom Anti-water Strip Seal (07) to the size of your measurement and notch $\frac{3}{8}$ " of the inner side of the Bottom Anti-water Strip Seal (07).

See Figure 6 for details.

ATTENTION:

Prior to next step, please be sure that the section of the wall for installation of the L-Shaped Strip Seal (08) is clean, dry and free from soap, oil and any construction debris.

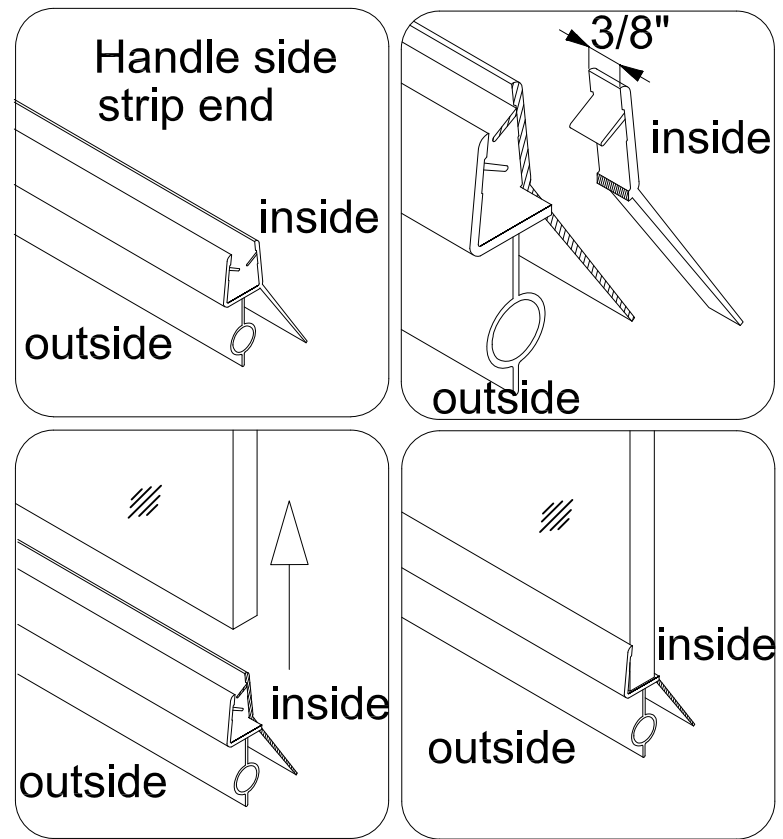


Figure 6

7. With the door closed place the L-Shaped Strip Seal (08) on the door edge and mark its location on the wall.

Please note that the corner of the L-Shaped Strip Seal (08) should face inward.

Open the door. Gently remove the plastic tape from the adhesive side of the L-shaped Strip Seal (08) and firmly press it to the wall.

See figure 7 for details.

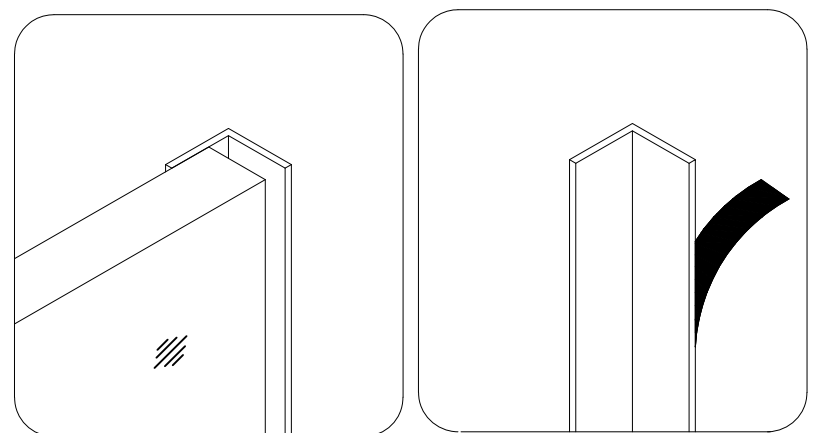


Figure 7

Care and Maintenance

As with any luxury item, maintenance and care are critical to the long-lasting quality and enjoyment of your shower door. The proper care and maintenance outlined in this section are necessary to ensure the longevity of the unit. Damage caused by not following the care and maintenance guidelines in this section is not covered under the manufacturer's warranty.

Caring for your Hardware:

- The best way to maintain the beautiful finish on your shower's hardware is use a dry towel to thoroughly dry the hardware after every use. Hardware kept clean regularly will not collect mineral deposits and require the use of a cleansing solution.
- If a cleansing solution is required, use only a mild soap and warm water in small amounts, and gently clean with a non-abrasive cloth. After cleaning, rinse thoroughly with warm water and dry.
 - Important: many over-the-counter cleaners will harm the metal or powder-coat finish causing permanent damage even though their directions may indicate safe use. Additionally, never use a scouring agent to clean the metal or glass.
- Regularly inspect your hardware for loosening due to usage and home shifting. Inspect and tighten hinges, glass clamps, support bars, wall channels, rollers, door guides and any other associated hardware pieces.



WARNING: Could cause SERIOUS INJURY. All hardware must be installed properly as per instruction. If the hardware is loose, the door's heavy glass will sag placing its corners in jeopardy. Alternatively, hardware that is overly tightened could put the door into stress.

Caring for your Glass:

- Keep your shower glass looking like new by rinsing down its panels and squeegee dry after every use. Towel dry any drops remaining the squeegee left behind.
- In areas where water has a high mineral content, dried water droplets could leave a deposit mark, including models with our StarCast coating. Mild acids, like white vinegar with warm water, will often remove the marks quickly with a soft sponge.
- Aston Frameless Showers are comprised of tempered safety glass. Be sure all edge seals are securely in place at all times, and NEVER allow the door to slam shut.
- Examine the glass periodically for cracks or chips; and pay special attention to its corners, edges and around the holes that accommodate screws or other hardware.

Models damaged by improper cleaning, installation and care are not covered under Aston's limited lifetime warranty.

ASTON GLOBAL INC. – Limited Warranty

This warranty applies to products purchased from Aston Global Inc. after May 1, 2017. Aston Global Inc., a Texas Corporation ("Aston"), provides the following warranty coverage for shower doors and enclosures, bathtubs, shower panels and related components (The Products). Aston warrants that The Products shall be free from defects in material and workmanship from the date of the original sale of the product by Aston (the "limited warranty period"), subject to the following conditions. This warranty extends to the original owner/end-user only, in its original place of installation and is not transferable to subsequent owners. Aston reserves the right to modify this warranty at any time; however, modifications will not change the warranty provisions in effect at the time of sale of the products in question. This warranty applies only to products sold by Aston and purchased from an Aston-authorized dealer. Proof of purchase / original sales receipt from the original consumer purchase must be provided with all warranty claims.

This limited warranty does not cover glass provided by others or outside fabrication provided by others, nor does it cover defects in material or workmanship caused by improper installation of the product; use of improper cleaning products or materials; or caused by accidents, owner or installer negligence, alterations, abuse or misuse. This limited warranty is limited to the repair and replacement of the defective product originally sold by Aston, or, at Aston's sole discretion, the payment to the original user of the original purchase price for the product paid to Aston. Aston is not responsible for the removal or reinstallation of a product requiring warranty service or the cost thereof. Shipping cost to replace product or parts covered by this warranty are the responsibility of the original user.

Aston disclaims liability for special, incidental or consequential damages. **ASTON'S LIABILITY SHALL NOT EXCEED THE PURCHASE PRICE OF THE UNIT IN QUESTION.**

In order to make a warranty claim, the original user shall notify the Aston Customer Service Department within thirty (30) days of receiving the product. The original user can provide notice by calling Aston's Technical Service Department at (877)-424-9699, or by sending written notice to: 902 Nicholson Rd., Suite 100, Garland, TX 75042, Attention: Customer Service Department. The notification shall specify the date the product was originally sold by Aston, the registration code, and the nature of the defect in material and/or workmanship. Based on such notification, Aston may request additional information from the original user to verify the claim.

This warranty is extended to residential applications only. The warranty for commercial installations is one year.

Aston products must be installed in accordance with Aston's installation instructions by a fully insured, licensed and skilled professional. Installation of The Products by anyone other than a fully insured licensed professional shall void the warranty. Aston recommends that licensed and skilled professionals have experience installing bathroom products, specifically shower and tub doors. Installation by an unlicensed or inexperienced installer may result in damage and/or breakage to the Products and may cause personal injury.

PARTS ONLY WARRANTY

This warranty is extensive in that it covers replacement of all defects. LABOR CHARGES AND/OR DAMAGE INCURRED DURING INSTALLATION, REPAIR, OR REPLACEMENT, AS WELL AS ANY OTHER KIND OF ANCILLARY COST, LOSS OR DAMAGE ARE EXCLUDED.

COMMERCIAL USE AND OTHER EXCLUSIONS

This warranty excludes all industrial, commercial and business usage. The warranty period for products installed for commercial applications or used in commercial ventures, including but not limited to motels, hotels, casinos, student housing, condos, apartments, and fitness centers, is a one (1) year limited warranty from the date of purchase for shower doors, bathtub doors, shower enclosures, shower bases, and backwalls, with all other terms of this warranty applying except the duration of the warranty. Aston hereby disclaims all warranties for products sold as dealer or store displays.

WARRANTY TERMS

Aston will, at its election, repair or replace the product found by Aston in its sole judgment, to be defective within the warranty period under normal residential use and maintenance. The replacement of a product is limited to supplying a replacement product or part (same as existing or if not available, comparable product). Aston's warranty obligation shall be discharged upon tender of parts, replacement or repair of the product. Purchaser's refusal to accept the tender terminates all warranty obligations and VOIDS THE WARRANTY. Cost of freight for returning products to Aston for repairs or replacement under this limited warranty is the responsibility of the customer. Cost of freight associated with shipping of replacement product(s) or parts covered by this warranty is the responsibility of the original user. Any product replaced or repaired during the warranty period will be covered only for the remaining period of the original warranty. In no event will Aston be liable for costs of repair or replacement of any installation material, including but not limited to tile, marble, etc. ASTON IS NOT RESPONSIBLE FOR INSTALLATION, REMOVAL OR REINSTALLATION COSTS OF ANY PRODUCT REQUIRING WARRANTY SERVICES.

Any modification or alteration of any Aston products will void the warranty. Neither the authorized Aston dealer, nor any other person is permitted to make any affirmation, representation, or warranty other than those contained in this warranty. Any affirmation, representation, or warranty other than those contained in this warranty shall not be enforceable against Aston or any other person.

Aston product installations and repairs must be performed by either an Aston authorized agent or a licensed, insured and experienced professional contractor - installation or repairs performed by any other party shall void the warranty. This warranty shall not apply to breakage or damages caused by normal wear and tear, fault, carelessness, abuse, misuse, misapplication, improper maintenance, alteration or modification of the unit, as well as chemical or natural corrosion, accident, fire, flood, act of God or any other casualty. Improper care and cleaning will void the warranty. Use of cleaners containing abrasive cleansers, ammonia, bleach, acids, waxes, alcohol, solvents or other products not recommended for hardware finishes, glass or acrylic as they may damage the metal or glass finish of your shower door or shower enclosure and will void the warranty. For additional product maintenance instructions please refer to the product installation manual. Aston is not responsible for any issues arising in connection with errors or omissions in information provided on Aston or dealers' websites. This warranty does not extend to any non-Aston plumbing or components installed by installers, end users or by any party other than Aston.

THE FOREGOING WARRANTIES ARE IN LIEU OF ALL OTHER WARRANTIES, EXPRESSED OR IMPLIED, INCLUDING BUT NOT LIMITED TO THE IMPLIED WARRANTIES OF MERCHANTABILITY AND FITNESS FOR A PARTICULAR PURPOSE. ASTON DISCLAIMS ALL LIABILITY FOR SPECIAL, INCIDENTAL OR CONSEQUENTIAL DAMAGES. ASTON IS NOT LIABLE FOR PERSONAL INJURIES OR DEATH TO ANY PERSON OR FOR ANY DIRECT, SPECIAL, INCIDENTAL OR CONSEQUENTIAL DAMAGE, LOSS OF USE, LOSS OF TIME, LOSS OF PROFITS, INCONVENIENCE, INCIDENTAL EXPENSES, LABOR OR MATERIAL CHARGES, OR ANY OTHER COSTS RESULTING FROM THE USE OF ITS PRODUCTS OR PERTAINING TO THE APPLICATION OF THE PRESENT WARRANTY, OR RESULTING FROM THE REMOVAL OR REPLACEMENT OF ANY PRODUCT OR ELEMENT OR PART COVERED BY THIS WARRANTY.

PRODUCT WARRANTY PERIODS

The laws and regulations that govern the installation and use of shower or tub doors, shower enclosures and shower bases vary widely by region, state or municipality. Except as otherwise provided above, Aston makes no warranties, expressed or implied, including warranties of merchantability and fitness for a particular purpose or compliance with any code. Aston is not responsible for verifying building code restrictions on installation or use and any such compliance is excluded from this warranty. Aston reserves the right to modify this warranty at any time. Such warranty modifications will not alter the warranty applicable at the time of sale of the products in question.

The warranty terms for specific products are listed on the pages that follow.

RESIDENTIAL INSTALLATIONS

SHOWER DOORS and ENCLOSURES

GLASS: Limited Lifetime

Aston warrants the glass of shower doors, tub doors and shower enclosures to be free from defects in workmanship and materials under normal residential use for the life of the product.

* Aston does not warrant glass for scratches, chips, water spots, breaking or any other damage during installation or after.

StarCast Protective Coating by EnduroShield (On Certain Models Only): Ten (10) Years, provided by PCT Global LLC.

For shower doors treated with StarCast protective coating, warranty coverage is provided by its maker, PCT Global LLC. Please register directly with EnduroShield online at: <https://www.enduroshield.com/en/warranty-registration/>

HARDWARE: One (1) Year

Aston warrants shower door, tub door and shower enclosure hardware (i.e. handles, rollers, hinges, profiles, clips, guides, brackets, towel and support bars) in all finishes to be free from defects in workmanship and materials under normal residential use for one (1) year.

SHOWER BASES: One (1) year

Aston warrants shower bases to be free from defects in workmanship and materials under normal residential use for one (1) year.

SEALS, SWEEPS, VINYL COMPONENTS: One (1) Year

Warranty for plastic seal strips, sweeps or any other vinyl components shall be limited to one (1) year.

COMMERCIAL INSTALLATIONS

SHOWER DOORS and ENCLOSURES

GLASS: One (1) Year

Aston warrants the glass of shower doors, tub doors and shower enclosures to be free from defects in workmanship and materials under normal commercial use for one (1) year.

* Aston does not warrant glass for scratches, chips, water spots, breaking or any other damage during installation or after.

HARDWARE: One (1) Year

Aston warrants shower door, tub door and shower enclosure hardware (i.e. handles, rollers, hinges, profiles, clips, guides, brackets, towel and support bars) to be free from defects in workmanship and materials under normal commercial use for one (1) year.

SHOWER BASES: One (1) Year

Aston warrants shower bases to be free from defects in workmanship and materials under normal commercial use for one (1) year.

SEALS, SWEEPS, VINYL COMPONENTS: One (1) Year

Warranty for plastic seal strips, sweeps or any other vinyl components shall be limited to one (1) year.

STATE LAWS AND THIS WARRANTY

Laws and regulations governing the installation, design and installation the products in construction applications vary widely. Aston does not have any control over and disclaims all responsibility and liability for selection, configuration, installation and operation of the products. The obligation of Aston to provide coverage under this limited warranty is expressly subject to the condition that the original user activates the warranty within 30 days of purchase by registering on-line or calling 1 (877) 424-9699.

Some states do not allow limitations on how long an implied warranty lasts, so the above limitation may not apply to you. Some states do not allow the exclusion or limitation of incidental or consequential damages, so the above exclusion of incidental damages may not apply to you. This warranty gives you specific legal rights, and you may have other rights which vary from state to state.

SOLE REMEDY / LIMITATION OF DAMAGES: THE REMEDY PROVIDED ABOVE UNDER "SCOPE OF COVERAGE" IS CUSTOMER'S EXCLUSIVE REMEDY FOR ANY DEFECT OR MALFUNCTION OF THE PRODUCT. To the fullest extent allowed by law, ASTON disclaims and excludes liability for consequential and incidental damages including, but not limited to, loss of use, lost rentals, lost profits, loss of business reputation, out of pocket expenses, damage to property other than the warranted product, mental anguish and punitive damages. Some states limit or do not allow the exclusion or limitation of incidental or consequential damages, so some or all of these limitations may not apply to you.

STATE LAW RIGHTS: This warranty gives you specific legal rights, and you may also have other rights which vary from state to state. THE DURATION OF ANY IMPLIED WARRANTIES UNDER STATE LAW, INCLUDING THE IMPLIED WARRANTIES OF MERCHANTABILITY AND FITNESS FOR A PARTICULAR PURPOSE, SHALL NOT EXTEND BEYOND THE WARRANTY PERIOD DESCRIBED ABOVE. Some states do not allow limitations on how long an implied warranty lasts, so this limitation may not apply to you.



**Customer Service
877-424-9699**

**Aston Global Inc
902 Nicholson Rd Suite 100
Garland, TX 75042**

If further assistance is needed , or you
have a question, please visit our web
site at:

www.astonbath.com